

MJ Perimeter Defense
**UL/ULC listed for 87”
mounting height**

MJ PERIMETER DEFENSE

FN-B-MJ with fresh air Box Canopy Filter/Cartridge Type

General Description

The MJ Perimeter Defense hood is NFPA-96 Type 1 listed for use with all temperature ranges on single row, wall mounted cooking equipment lineups. The MJ perimeter defense air is provided by connecting fresh air ductwork to the supply ducts on top of the MJ plenum. The hood is ceiling hung with a maximum mounting height of 87” (2209 mm) from the lower edge of the canopy to the floor. The MJ Perimeter Defense hood box canopy can be tapered to 11” (279 mm) at the front. The hood is finished with a No. 4 finish on exposed sides and is available with fluorescent, incandescent or recessed incandescent lights wired to a J-box.

Efficiency

The MJ Perimeter Defense hood is equipped with UL/ULC listed baffle grease filters or cartridges. Five extraction methods are available with *MJ*.

VE – Value Engineered – standard grease extraction efficiency Stainless steel baffles.

CA – Medium grease extraction efficiency cartridges with adjustable flow baffles.

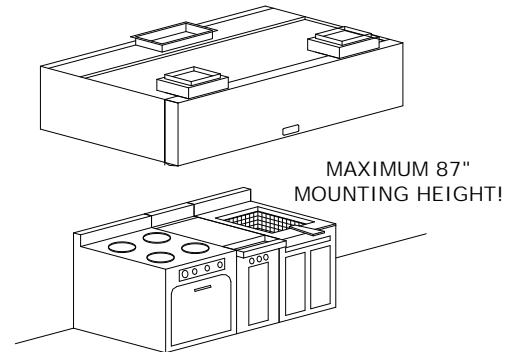
HE – High grease extraction Efficiency Cascade baffles for Enviro applications and reducing grease discharge from buildings.

EC – Easy Clean Teflon – standard grease extraction efficiency baffles for hot, heavy grease laden appliances.

SA – Spark Arrestor – standard grease extraction efficiency, for solid fuel appliances.

Exhaust and Supply

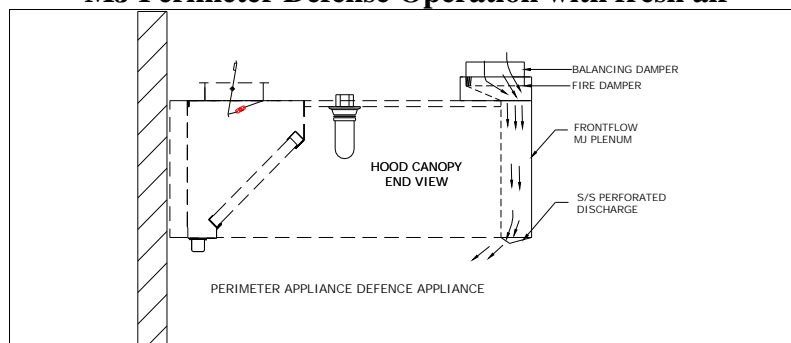
The MJ Perimeter Defense design exhaust volume is based on the appliances under the hood. It’s a simple calculation to determine your best exhaust volume for any commercial



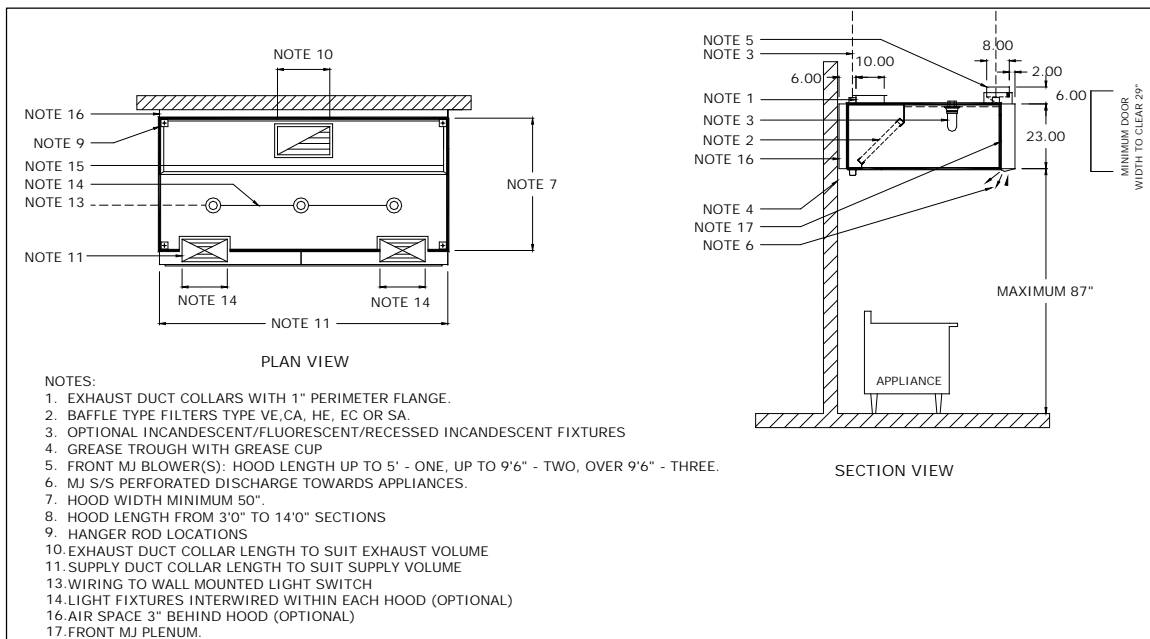
kitchen lineup. The MJ Perimeter Defense hood can be fine-tuned to provide excellent smoke capture with maximum grease extraction.

Introducing supply air back into the kitchen is good engineering practice. An adequate supply of fresh air eliminates cold drafts, and hot spots, enhances the capture capability of the hood and results in a more comfortable kitchen environment. A supply air volume of at least 80% of the total exhaust is recommended. The fresh air should be tempered to between 55 and 75F (13 to 24C). Direct the fresh air to separate diffusers surrounding the hood located in the finished ceiling. The diffusers must be located to eliminate short circuiting the exhaust and drafting. Consult with factory for recommended kitchen diffuser locations. If the hood is required to supply all the fresh air directly refer to the Spring Air *MB DYNAFLOW specification sheet...*

MJ Perimeter Defense Operation with fresh air



Model FN-B-MJ with fresh air



Spring Air Systems Model No. FN-B-MJ with fresh air Hood Specification

The MJ *Dynaflow* Perimeter Defense hood shall be a Spring Air Systems model no. FN-B-MJ with fresh air, box canopy, baffle extractor hood, with exhaust fire damper, "MJ" fresh air plenum, UL/ULC listed, NSF certified and built in accordance with the NFPA-96.

The baffle extractors shall be one of the following types:

1. VE – Stainless steel baffles.
2. CA – Cartridges with adjustable flow baffles.
3. HE – High Efficiency Cascade
4. EC – Easy Clean Teflon baffles
5. SA – Spark Arrestor for solid fuel appliances.

The unit casing shall be a minimum 18 GA. stainless steel, with No. 4 finish on all exposed surfaces. The hood shall include UL/ULC listed grease filters mounted in an integral stainless steel rack inclined at 45 degrees. The filter rack shall include a full length stainless steel grease gutter and grease cup.

The fresh entering the MJ plenum discharges out the bottom of the plenum through a s/s perforated MJ Grille along the

length of the MJ plenum. The fresh air is directed through the MJ plenum towards the appliances. The supply duct collars on top of the MJ plenum has fusible link fire damper. The hood shall have _____ incandescent/fluorescent/recessed incandescent lights evenly spaced along the length of the hood.

Engineering Data

Item Number: _____
 Model Number: FNBMJ with fresh air _____
 Number of Sections: _____
 Hood Length: _____
 Hood Width: _____
 Lights: _____
 Exhaust Volume: _____
 No. of Exhaust Duct Collars: _____
 Size of Exhaust Duct Collar _____
 Exhaust Static Pressure: _____
 No. of MJ blower: _____
 Total FLA – 120V MJ blowers: _____

FNbmj with fresh air