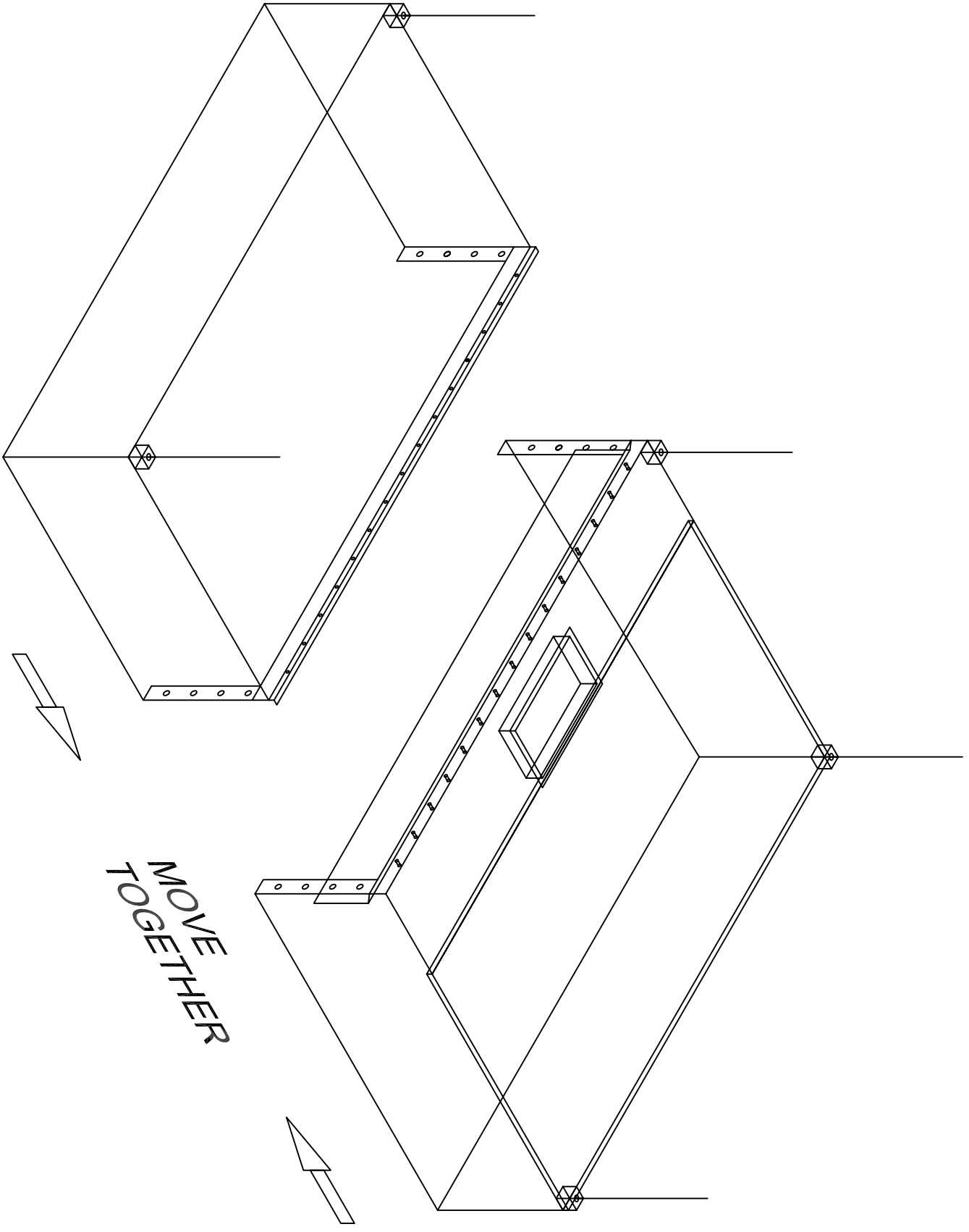




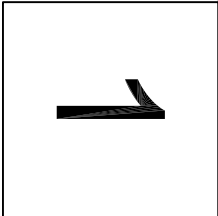
# DB Hood Installation

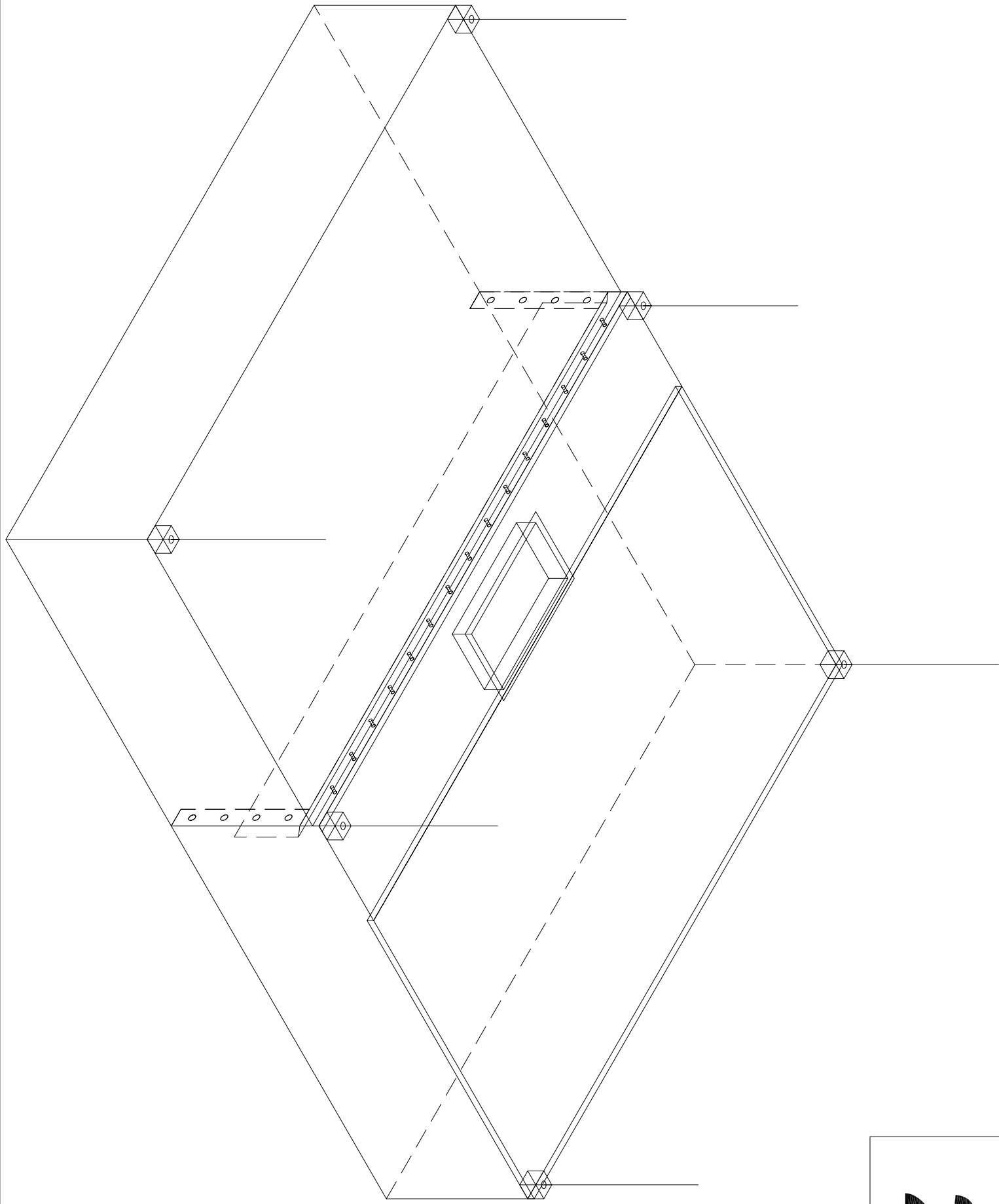
---

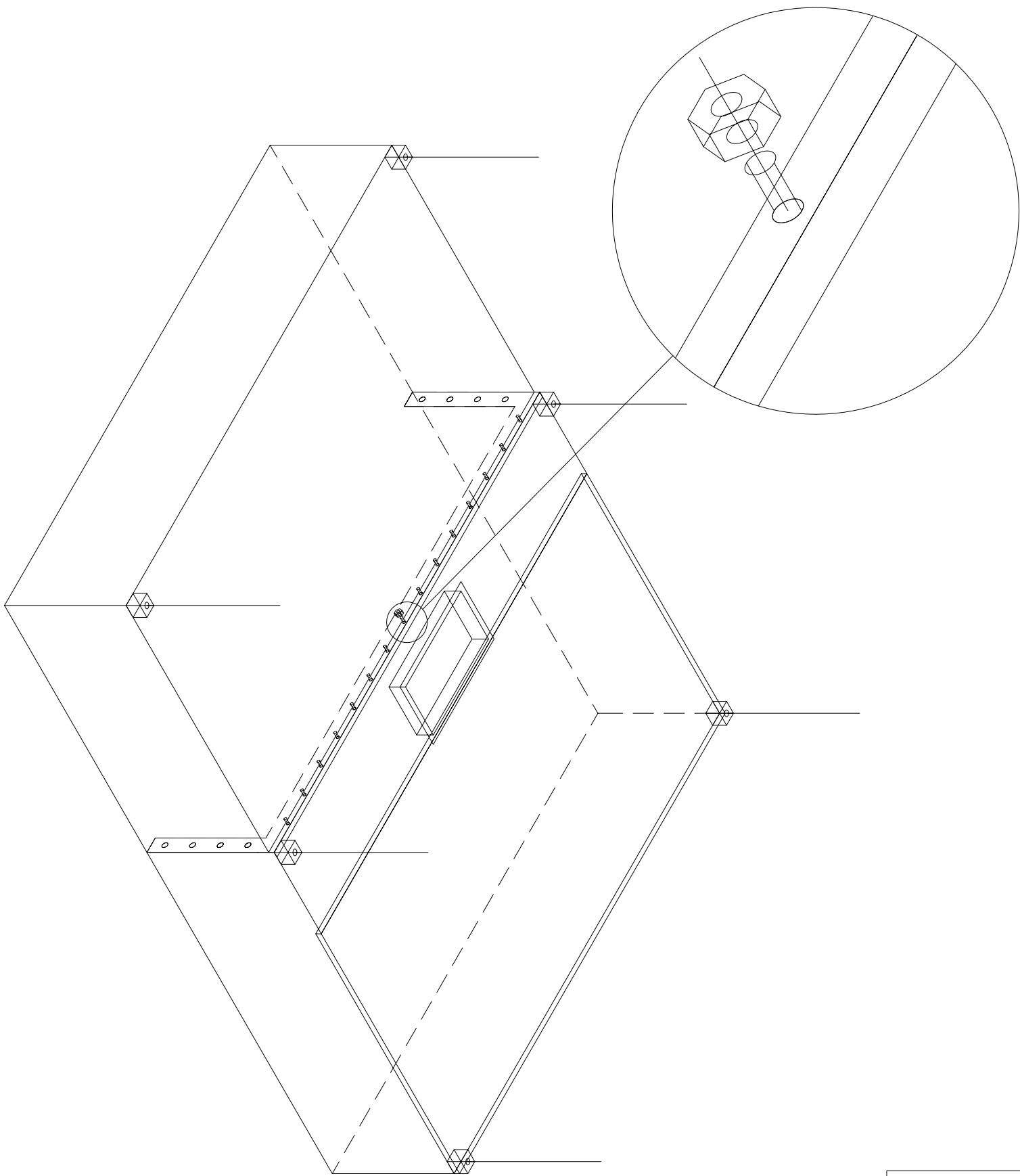
Spring Air Systems Inc., Oakville, Ontario  
Phone (905) 338-2999, Fax (905) 338-0179, [info@springairsystems.com](mailto:info@springairsystems.com)  
[www.springairsystems.com](http://www.springairsystems.com)



*MOVE  
TOGETHER*





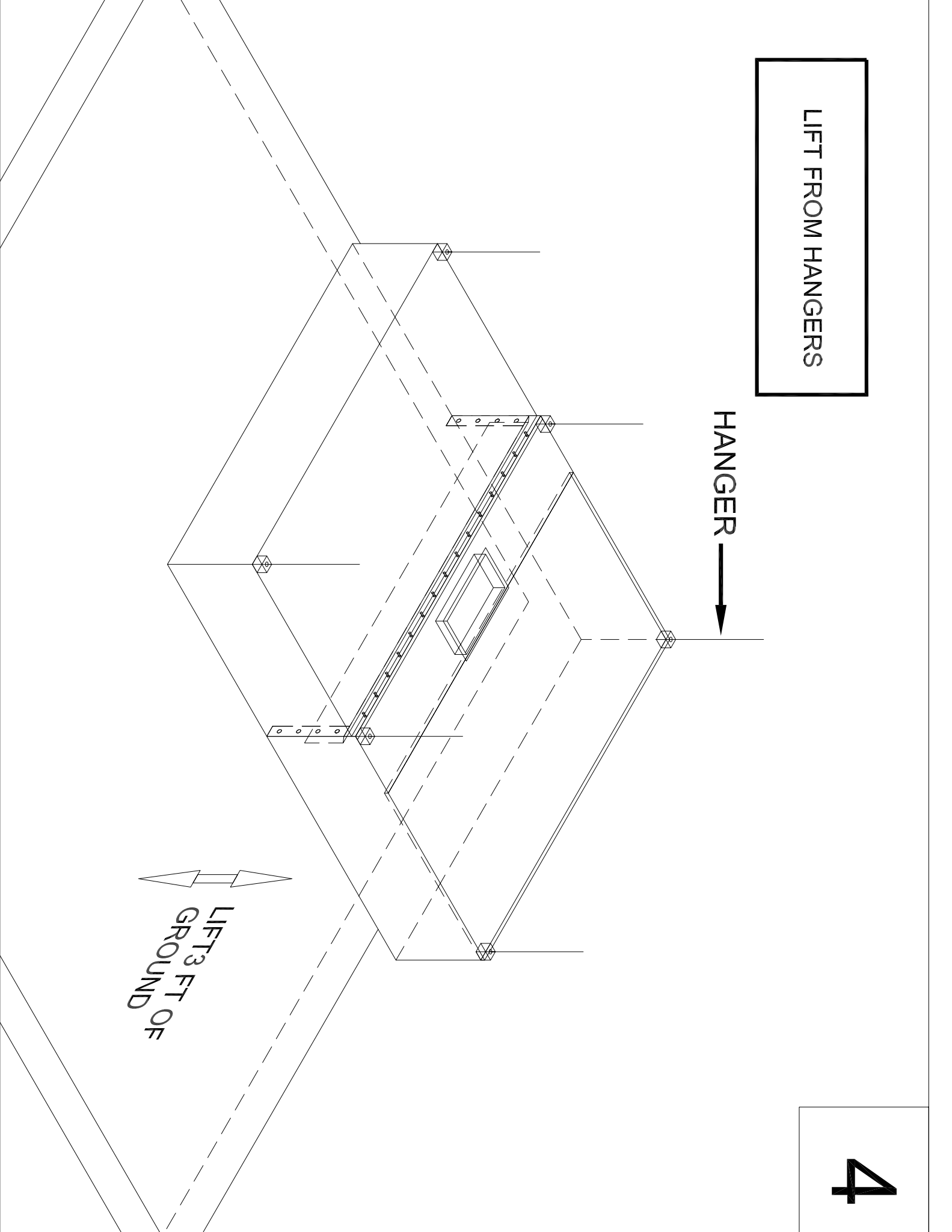


LIFT FROM HANGERS

HANGER →

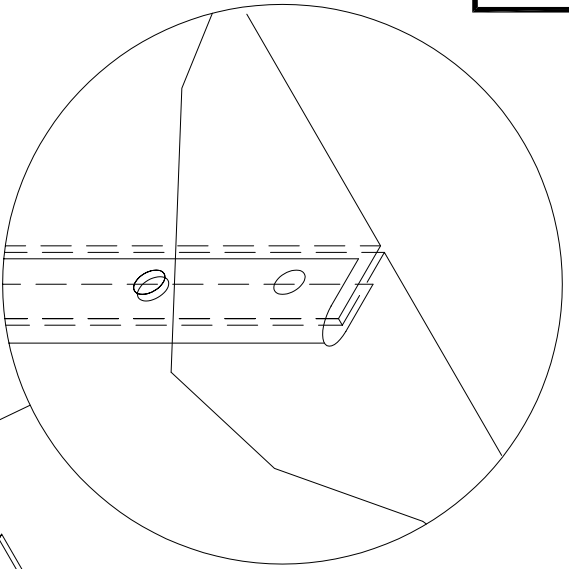
LIFT 3 FT OF  
GROUND

4



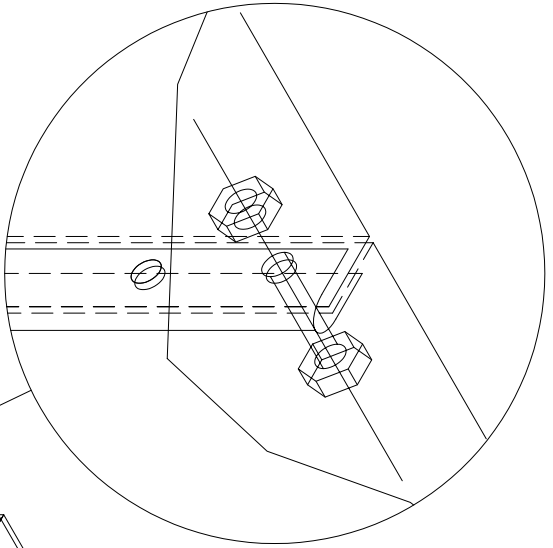
LIFT FROM HANGERS

HANGER →



↑  
LIFT 3 FT OF  
GROUND

LIFT FROM HANGERS



HANGER →

LIFT 3 FT OF  
GROUND

## **Other Fine Products From**

### **SPRING AIR SYSTEMS...Solutions for Energy Savings**

- Water Wash Ventilators
  - Hot Water Wash
  - Cold Water Spray/Hot Water Wash
  - Water Wash Control Panels
- Dry Extractor Hoods
- RevLow Hoods
- Cartridge Hoods
- Filter Hoods
- Surface Fire Suppression
- Commercial Kitchen Exhaust Fans
- Kitchen Enviro Systems
  - KES - 100% Exhaust
- Commercial Kitchen Supply Units
- Compensating Hoods
- Exhaust Fans
- Supply Fans
- Commercial Kitchen Control Panels
- TruFlow & Melink Variable Speed Exhaust/Supply Systems
- Utility Distributions Systems

Phone: 866-874-4505, FAX: 905-338-0179

[info@springairsystems.com](mailto:info@springairsystems.com)

[www.springairsystems.com](http://www.springairsystems.com)